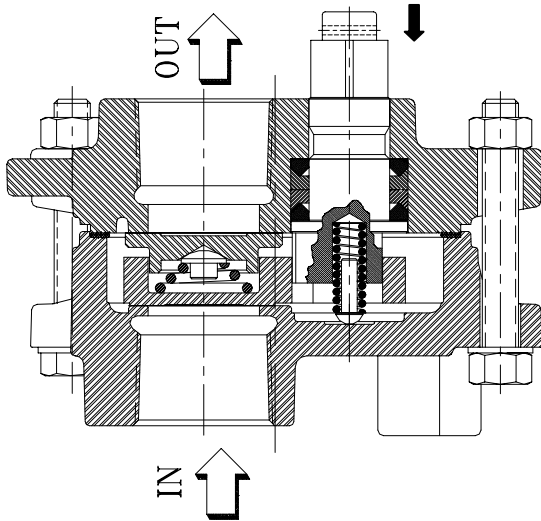


250 BDV LEVER INSTALLATION



1

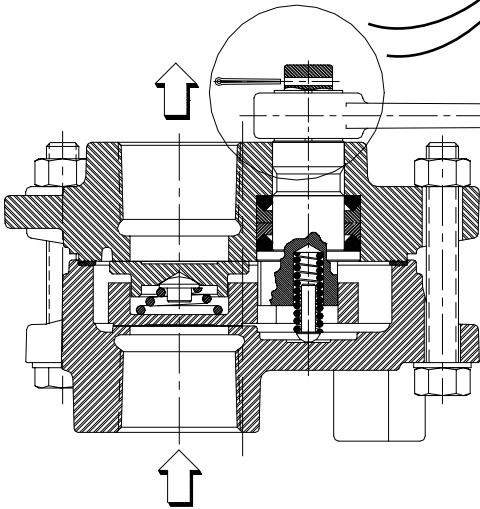
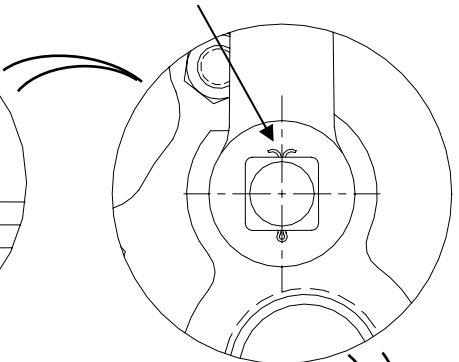
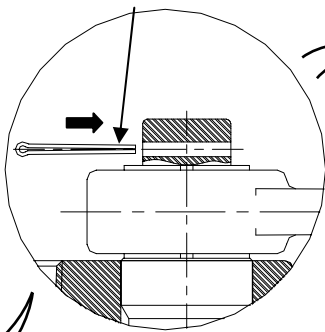
Place the lever's square hole over the shaft as shown.

2

Secure lever by passing the safety pin through the hole in the shaft, as shown.

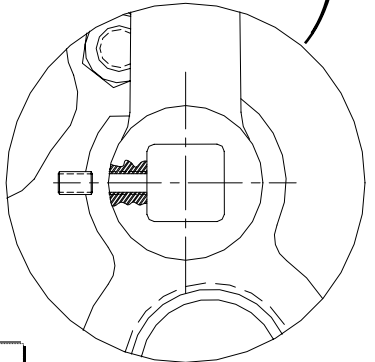
* Safety pin

* Spread pin wires



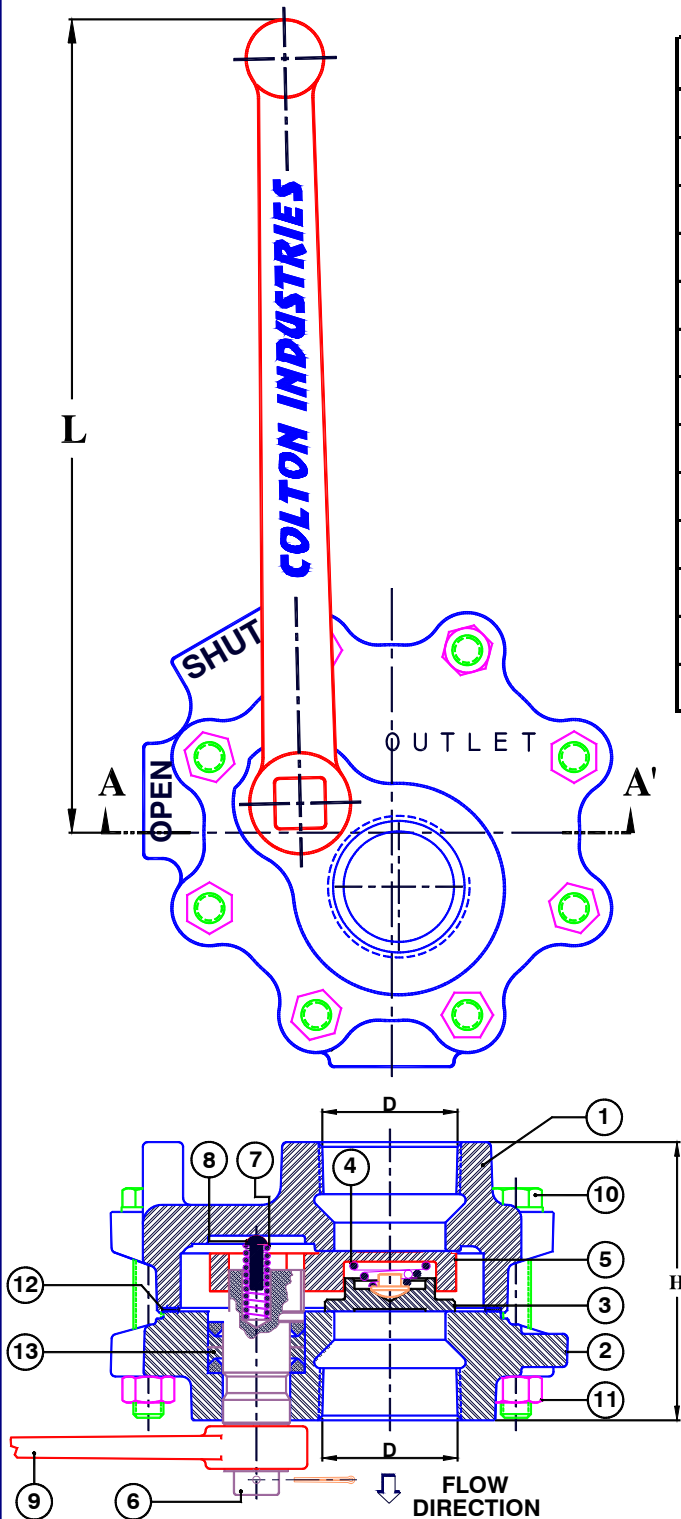
3

Thread set, screw into lever.



DATA SHEET

BOILER BLOWDOWN VALVES



ITEM	NAME	MATERIAL
1	Inlet Body	ASTM A 126
2	Outlet body	ASTM A 126
3	Disc	AISI 420
4	Disc spring	AISI 302
5	Disc holder	ASTM A 126
6	Stem	Brass
7	Stem spring	AISI 302
8	Stem pivot	AISI 420
9	Handle	Ductile iron
10	Body bolts	Steel grade 2
11	Body nuts	Steel
12	Body gasket	Graphite
13	Stem packing	Graphite

DIMENSIONS AND WEIGHTS

MODEL	D (NPT)	H (Inches)	L (Inches)	Weight (Pounds)
1 ¼" 250 BDV	1 ¼"	3.6	10.6	13
1 ½" 250 BDV	1 ½"	4.5	11	23
2" 250 VDB	2"	4.6	12	29



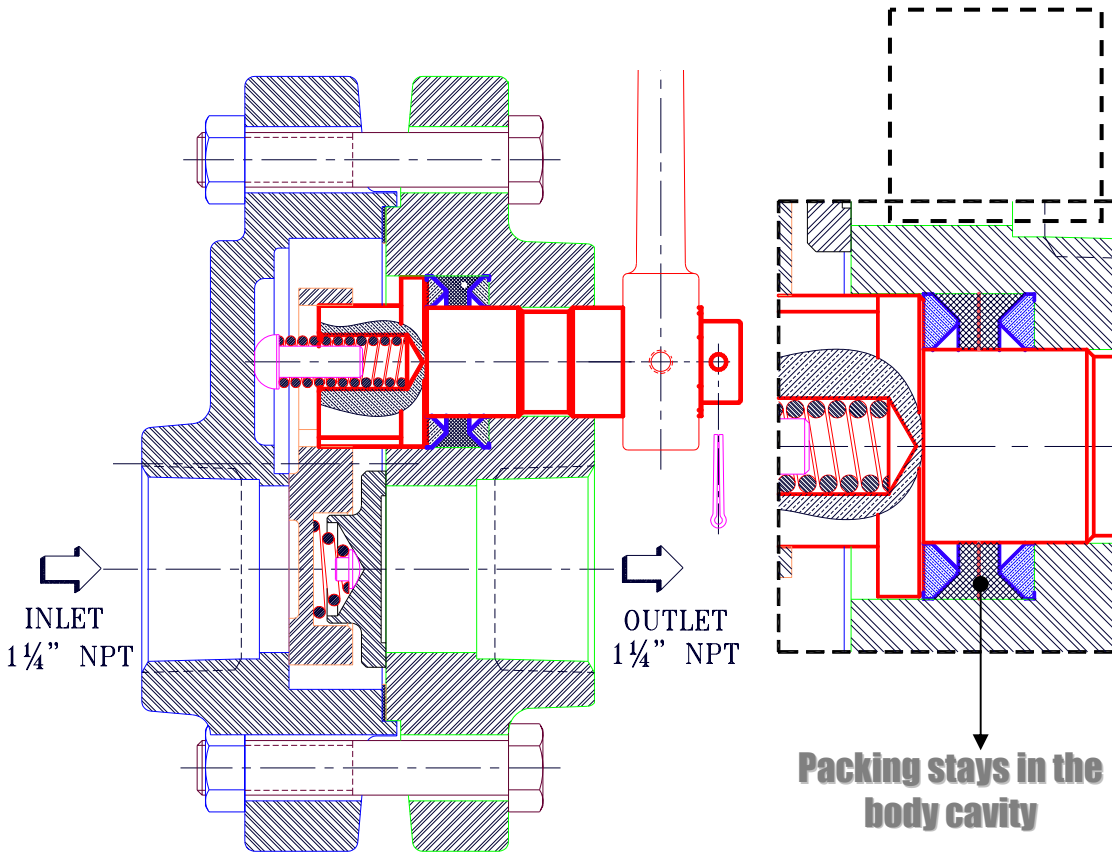
BOILER BLOWDOWN VALVE
1 ¼", 1 ½" & 2" 250 Pounds

DWG N° 250 BDV

REV. 0

DATE: JAN - 2.005

250 BDV PACKING REPLACEMENT



**Compression Ring
(Bronze)**

SUB - ASSEMBLY

